



广东库博精密科技有限公司

GUANGDONG UNIHOPPER PRECISION TECHNOLOGY
CORPERATION LIMITED

运营中心：广州市天河区天河路 242 号丰兴广场 B 栋 2404 室
Operating center: Rm2404 Building B, Fengxing Plaza, No.242,
Tianhe Rd, Tianhe District, Guangzhou City

总部：肇庆高新技术产业开发区创业路 9 号库博工业园
Headquarter: Unihopper industrial park, No.9 Chuangye
road, High-tech Industrial Development Zone ,Zhaoqing City,
Guangdong Province, China

TEL: 0758-3212900/3212901
FAX: 0758-3212902
E-mail: sales@unihopper.biz

 www.unihopper.biz

2208.10K



公众号



微官网

库博五金保留在不影响功能质量前提下，适当改动尺寸、外型而不另行通知。实际产品会因印刷原因与样本上有少许色差，产品图片尺寸误差以实物为准
On the premise of not influence the function and uality,Grasshopper reserves the right of changing the size,outlook without notice.
There will be a little color difference between the product in presswork and definite object.The correct size of the product subject to definite object.

DIVIDER

Designed by UNIHOPPER



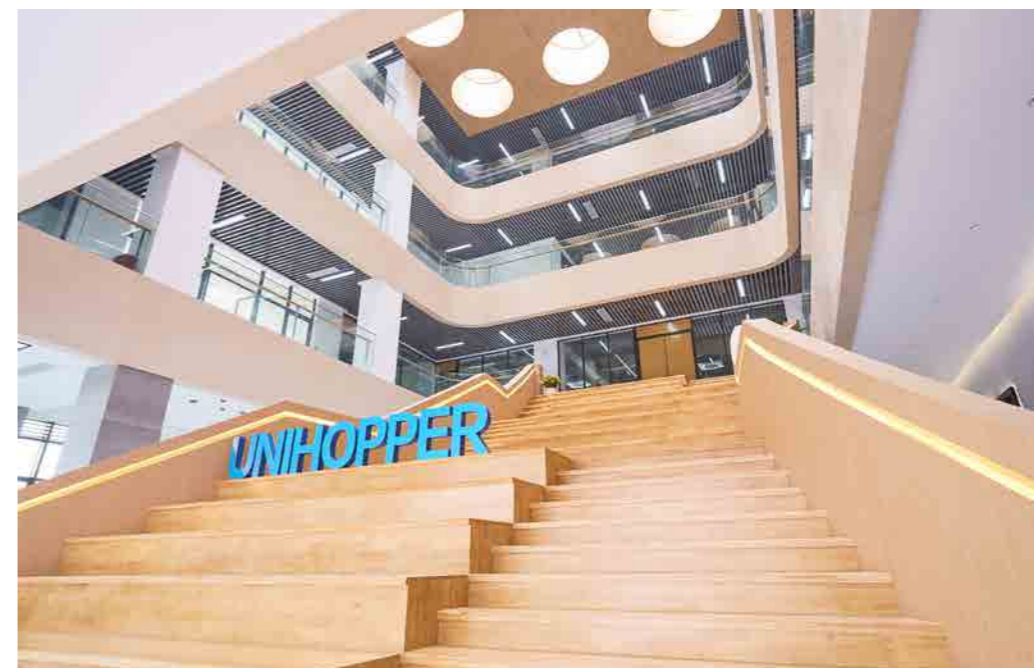
DIVIDER



Unihopper Intelligent industrial park
库博智能化工业园



Unihopper R & D Building
库博研发大楼



MILESTONES

品牌里程碑

2003 >

库博在中国广州成立销售公司——广州立晟五金制品有限公司；并成功推出第一代单缓冲骑马抽。

Unihopper founded the company in Guangzhou, China--Guangzhou Li-cheng Hardware CO, Ltd ; and launch the first generation one -way soft closing drawer box.

2005 >

为了减少 ODM 产生的成本，库博决定投建生产基地，引进欧洲先进技术，在中国进行生产。

in order to reduce the cost of ODM, Unihopper decided to invest with the advanced technology from Europe and construct the production base in China.

2007 >

库博与欧洲、哥伦比亚设计师成立联合设计小组，并成功推出第二代双缓冲骑马抽，双缓冲理念在此风靡全球。

Unihopper founded a union design group with designers from Europe and Columbia, and successfully launch the second generation two-way soft closing drawer box. The concept of two-way soft closing became popular around world ever since.

2008 >

库博在华组建营销中心，开始为中国家具客户提供优质的产品和服务。

Unihopper set up the marketing center and began to provide quality products and service for Chinese furniture customers.

2010 >

成功研发第三代联动双缓冲骑马抽及同步隐藏导轨。Unihopper successfully researched and developed the third generation interactive two-way soft closing drawer box and synchronize conceal slide.

2013 >

联合设计小组成功研发拉篮和衣柜收纳系统（摩卡系列）。the union design group successfully researched and developed basket and wardrobe storage system (MOKA).

2015 >

成功研发第五代联动双缓冲骑马抽—魔力抽，并在北京衣柜年会成功举办“库博之夜”。

Unihopper successfully researched and developed the fifth generation interactive two-way soft closing drawer box-Magic box, and successfully hosted the “Night of Unihopper”in Beijing wardrobe annual conference.

2016 >

在广州威斯汀酒店成功举办库博峰会，并宣布 UNIHOPPER 库博全球化；库博与万科地产开始合作，成国内唯一五金指定供应商。

Unihopper successfully hosted “Unihopper summit conference” in Guangzhou, and announced Unihopper would globalize the brand. In the same year, Unihopper started the cooperation with Vanke, being the sole hardware supplier in China.

2017 >

成功举办第二届库博全球合作伙伴峰会，同时库博商学院成立。

Unihopper successfully hosted the second “Unihopper summit conference”. Same time, Unihopper Business College was founded.

2019 >

成功举办第三届库博全球合作伙伴峰会，库博新生产基地奠基及库博品牌日成立；为更好全球化发展，库博一带一路理念形成；同年研发出魅影系列厨房收纳和酷力抽系列产品。

Unhopper successfully hosted the third “Unihopper summit conference”, and founded the new Unihopper production base and Unihopper brand-day. For better global development, Unihopper set up the “Belt and Road”concept. Same year, Unihopper researched and developed the Phantom kitchen storage system and Co-box.

2020 >

库博成为全装修家居五金铰链、导轨、拉篮使用标准主起草单位；荣获国家高新技术企业。梵卡、酷卡等原创新品相继推向市场。

Unihopper become one of the home decoration drafting committee for Hinge, slide and basket. In the same year, Unihopper won the National High-tech Enterprise. Vanka, COKA have been introduced to the market.

2021 >

库博 12 万平方产业园正式投入使用；库博品牌产品入库万科、中海、龙湖、保利等地产公司。丽影、库格系列新品推出。

Unihopper new production base with 120,000 sqm put into use officially, in the same year, Unihopper cooperate with VANKE and CHINA OVERSEAS and LONGFOR and POLY Real Estate. LINA, HUGGEN have been introduced to the market.

2022 >

库博国际研发中心与新总部旗舰产品体验厅全面对外开放；库博与万科采筑共建产品研发中心、产品实验室。

Unihopper international R&D center and the flagship showroom in the new headquarters fully open to the public, same time, Unihopper establish product R&D centre and product laboratory together with Vanke caizhu.

BRIEF INTRODUCTION

集团介绍

Unihopper, a high-end customized home brand and the provider for comprehensive solutions of hardware supporting, implements the "Belt and Road" global development strategy to develop the global market. Offering the Uni-products, Uni-design, and Uni-service to every corner of the world.

After years of development, Unihopper has sole agents in dozens of countries and regions around the world, such as Netherlands, Canada, Russia, Slovenia, Argentina, Korea, Iran, Spain, Portugal, Ireland, Saudi Arabia, Colombia, South Africa, India, Southeast Asia Regions and China HongKong, Macao and Taiwan regions and so on; and now, Unihopper has become a major suppliers for many well-known cabinet and home brands in the world. In China, many listed furniture enterprises are our Uni-partners including OPPEIN, PIANO, SOGAL, ZBOM, Haier, OLO and so on. At the same time, Unihopper is also the major suppliers of Vanke, LONGFOR, POLY, China Overseas and many other real estate companies in China.

In 2005, Unihopper set up a production base and established a large storage center in Nanhai city in China, and a new intelligent Uni-industrial park of more than 120,000 square meters will also be put into use in 2021. As one of the best name and provider for the high-end customized furniture hardware industry, Unihopper has always upheld the brand values of "European quality, Chinese price", and now, has become a leading brand popularizing in many home furnishing companies and consumers all over the world. In the future, Unihopper will increase more investment in space enlarging, strengthen multi-dimensional development including product application, intelligent scene introduction, online and offline channel integration, striving to become the best home storage master around consumers' life.

Unihopper 库博是一家致力于全球化发展的定制家居五金及五金配套解决方案的供应商。库博实行“一带一路”全球发展战略，开放的胸怀开拓全球市场。将库博的产品、文化、理念推广到世界每个角落。

经过多年的发展，UNIHOPPER 库博在荷兰、加拿大、俄罗斯、斯洛文尼亚、阿根廷、韩国、伊朗、西班牙、葡萄牙、爱尔兰、沙特、哥伦比亚、南非、印度、东南亚地区以及中国港澳台地区等全球数十个国家和地区设有独家代理，现已成为全球众多知名橱柜和家居品牌的主要供应商。在华许多上市家居企业均是库博合作伙伴，包括有：欧派、索菲亚、志邦、海尔、我乐等，同时库博品牌也是万科、龙湖、保利、中海等众多地产公司的主要供应商。

2005 年，Unihopper 库博在中国佛山南海设立了生产基地并建立了大型仓储中心。全新超 12 万平方米智能化库博工业园已在 2021 年投入使用。作为一家高端定制家居五金供应商，Unihopper 库博一直坚持原创设计，“价格不上，品牌不下”的营销理念，已然成为全球众多家居企业和消费者追随的行业领导品牌，未来库博集团将加大更多空间投入，将产品运用、智能化场景导入、线上线下通道一体化等多维度发展，努力打造成为消费者身边最出色的家居收纳大师。

THE LAYOUT OF UNIHOPPER ALL OVER THE WORLD

全球布局



COMPANY VISION

库博的理念

企业使命
CORPORATE MISSION:

满足人们对美好生活的向往是库博人的使命追求
To meet people's yearning for a better life is the mission
pursuit of Unihopper

价值观
VALUES:

诚信、利他、奋斗、创新、理解、共进
Integrity, altruism, struggle, innovation, understanding,
common progress





WOODEN

让您抽屉内的物品井然有序。无论是餐具还是调料瓶等物品都可以既安全又稳当地收纳在抽屉内。您可以按需布置您的储物空间，并使之一目了然。

A proper divider makes your cabinet well organized.





All your cookers should have its right place.

WOODEN DIVIDER SYSTEM 可调式实木抽屉分隔系统



1200mm 可调式实木抽屉分隔系统



650mm 可调式实木抽屉分隔系统

450mm~650mm

CABINET WIDTHS 柜体宽



800mm~1200mm

CABINET WIDTHS 柜体宽



抽屉宽度	标称长度	订货号	抽屉宽度	标称长度	订货号
450mm~650mm	450mm	DA3201C1.0655.(*)	800mm~1200mm	450mm	DA3201C1.1205.(*)
450mm~650mm	500mm	DA3201C1.0656.(*)	800mm~1200mm	500mm	DA3201C1.1206.(*)

备注 :(*) 颜色 : 木纹色 (WD)/ 摩卡色 (MCA) Note :(*) Wooden(WD)/Mocca(MCA)

→ FEATURES / 产品特点

优良进口榉木材料
 柜体宽度 450mm~650mm、
 800mm~1200mm
 任意调节，运用灵活
 抽屉空间分配科学合理
 颜色：木纹色 / 摩卡色
 适用于 LED 魔力抽、魔力抽、
 魅力抽、易力抽

Wooden Material: Solid beech
 Material: MDF
 Cabinet width 450mm~650mm,
 800mm~1200mm
 Color: Wooden (WD) / Mocca(MCA)
 Suitable for LED Magic box,
 Glass Magic box,Magic box,Regic
 box,Pobox,Drawer box



→ APPLY DRAWER / 适用抽屉



LED 魔力抽



魔力抽



魅力抽



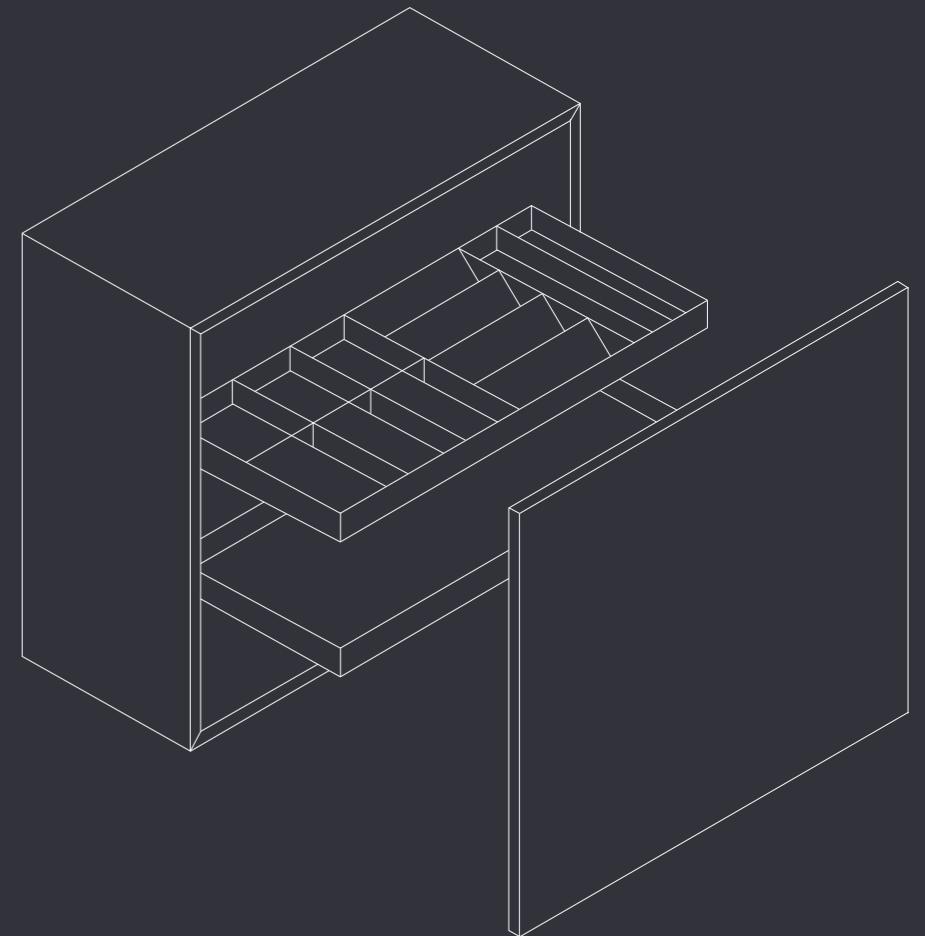
易力抽



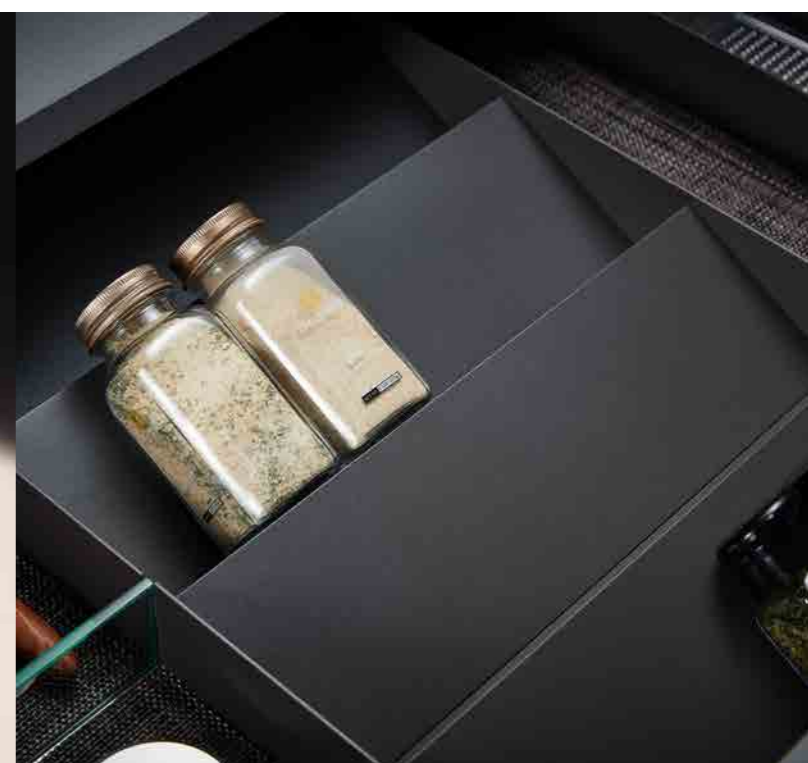
Flexible collocation
of glass and aluminium create
a unique cabinet for you.

分区设计，灵活实用。方便您按照自己的需求和
喜好放置，轻松保持厨房抽屉整洁有序。

SLANKA



SLANKA DIVIDER SYSTEM



SLANKA 斯林兰卡分隔件



900mm 斯林兰卡分隔件

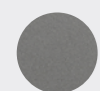
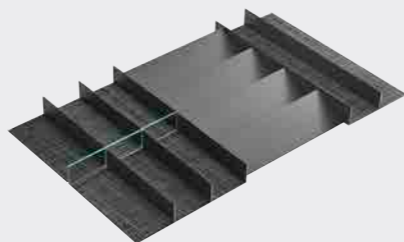


600mm 斯林兰卡分隔件

→ FEATURES / 产品特点

选用优质铝合金和钢化玻璃
 抽屉内部空间分配科学合理
 抽屉功能更加完善
 造型时尚, 美观, 极具美感
 规格齐全, 自由搭配
 颜色: 磨砂摩卡色
 适用于 LED 魔力抽、魔力抽、魅力抽、
 酷力抽 (不适用于 80 高)

Aluminium alloy and tempered glass
 Reasonable distribution of Inner space
 Fashionable and beautiful design
 Color: Texture Mocca
 Suitable for glass magic box,
 magic box, regic box,
 cobox(H80mm is not including)



磨砂摩卡色

→ APPLY DRAWER / 适用抽屉



LED 魔力抽





魔力抽

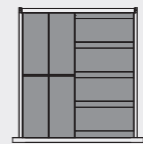
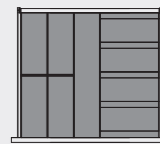




魅力抽





酷力抽

400mm CABINET WIDTHS 柜体宽			450mm CABINET WIDTHS 柜体宽		
					
标称长度	订货号 (适用 LED 魔力抽, 魔力抽, 魅力抽)	订货号 (适用酷力抽)	标称长度	订货号 (适用 LED 魔力抽, 魔力抽, 魅力抽)	订货号 (适用酷力抽)
450mm	DA3105E.0405.TCA	DA3105B.0405.TCA	450mm	DA3105E.0455.TCA	DA3105B.0455.TCA
500mm	DA3105E.0406.TCA	DA3105B.0406.TCA	500mm	DA3105E.0456.TCA	DA3105B.0456.TCA

500mm CABINET WIDTHS 柜体宽			600mm CABINET WIDTHS 柜体宽		
					
标称长度	订货号 (适用 LED 魔力抽, 魔力抽, 魅力抽)	订货号 (适用酷力抽)	标称长度	订货号 (适用 LED 魔力抽, 魔力抽, 魅力抽)	订货号 (适用酷力抽)
450mm	DA3105E.0505.TCA	DA3105B.0505.TCA	450mm	DA3105E.0605.TCA	DA3105B.0605.TCA
500mm	DA3105E.0506.TCA	DA3105B.0506.TCA	500mm	DA3105E.0606.TCA	DA3105B.0606.TCA

800mm CABINET WIDTHS 柜体宽			900mm CABINET WIDTHS 柜体宽		
					
标称长度	订货号 (适用 LED 魔力抽, 魔力抽, 魅力抽)	订货号 (适用酷力抽)	标称长度	订货号 (适用 LED 魔力抽, 魔力抽, 魅力抽)	订货号 (适用酷力抽)
450mm	DA3105E.0805.TCA	DA3105B.0805.TCA	450mm	DA3105E.0905.TCA	DA3105B.0905.TCA
500mm	DA3105E.0806.TCA	DA3105B.0806.TCA	500mm	DA3105E.0906.TCA	DA3105B.0906.TCA

1000mm CABINET WIDTHS 柜体宽			1200mm CABINET WIDTHS 柜体宽		
					
标称长度	订货号 (适用 LED 魔力抽, 魔力抽, 魅力抽)	订货号 (适用酷力抽)	标称长度	订货号 (适用 LED 魔力抽, 魔力抽, 魅力抽)	订货号 (适用酷力抽)
450mm	DA3105E.1005.TCA	DA3105B.1005.TCA	450mm	DA3105E.1205.TCA	DA3105B.1205.TCA
500mm	DA3105E.1006.TCA	DA3105B.1006.TCA	500mm	DA3105E.1206.TCA	DA3105B.1206.TCA

备注: 颜色: 磨砂摩卡色 (TCA) Note: Color: Frosted mocha (TCA)

Classical aluminium divider
bring you a tidy drawer

ALUMINIUM



厨房收纳分隔件把杂乱无序变成美丽和谐乐章。不同的产品组合提供了各种各样的解决方案，让所有物品各归其位。

ALUMINIUM DIVIDER SYSTEM 铝合金内分隔系统



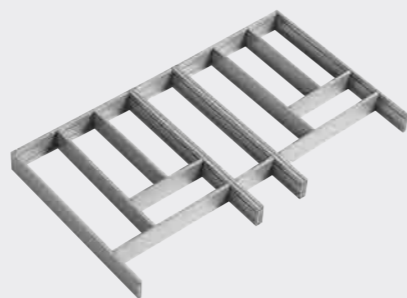
900mm 铝合金内分隔系统



600mm 铝合金内分隔系统

→ FEATURES / 产品特点

- 选用优质铝合金材料, 经久耐用
 - 抽屜内部空间分配科学合理
 - 抽屜功能更加完善
 - 造型时尚, 美观, 极具现代感
 - 规格齐全, 自由搭配
 - 颜色: 碳灰色 / 白色
 - 适用于 LED 魔力抽、魔力抽、魅力抽
- High quality aluminium material
 - Scientifically and reasonably dividing the internal space
 - Perfect function of drawer
 - Fashionable, beautiful and modern
 - Full range of size for freely assembling
 - Suitable for LED Magic box, Glass Magic box, Magic box, Regic box



→ APPLY DRAWER / 适用抽屜



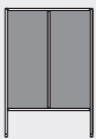

LED 魔力抽

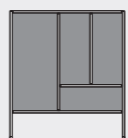
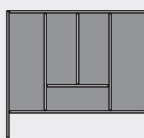


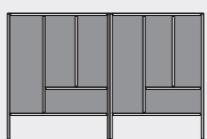
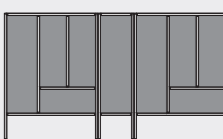
魔力抽

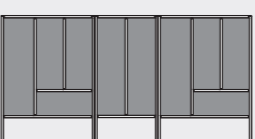
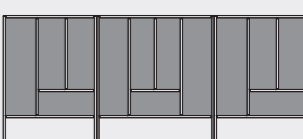


魅力抽

400mm CABINET WIDTHS 柜体宽			450mm CABINET WIDTHS 柜体宽		
					
标称长度	订货号	规格	标称长度	订货号	规格
450mm	DA3104E.0405.([^])	424x323	450mm	DA3104E.0455.([^])	424x373
500mm	DA3104E.0406.([^])	474x323	500mm	DA3104E.0456.([^])	474x373

500mm CABINET WIDTHS 柜体宽			600mm CABINET WIDTHS 柜体宽		
					
标称长度	订货号	规格	标称长度	订货号	规格
450mm	DA3104E.0505.([^])	424x423	450mm	DA3104E.0605.([^])	424x523
500mm	DA3104E.0506.([^])	474x423	500mm	DA3104E.0606.([^])	474x523

800mm CABINET WIDTHS 柜体宽			900mm CABINET WIDTHS 柜体宽		
					
标称长度	订货号	规格	标称长度	订货号	规格
450mm	DA3104E.0805.([^])	424x723	450mm	DA3104E.0905.([^])	424x823
500mm	DA3104E.0806.([^])	474x723	500mm	DA3104E.0906.([^])	474x823

1000mm CABINET WIDTHS 柜体宽			1200mm CABINET WIDTHS 柜体宽		
					
标称长度	订货号	规格	标称长度	订货号	规格
450mm	DA3104E.1005.([^])	424x923	450mm	DA3104E.1205.([^])	424x1123
500mm	DA3104E.1006.([^])	474x923	500mm	DA3104E.1206.([^])	474x1123

备注 :([^]): 颜色 : 白色 (MW)/ 碳灰色 (DG) Note :([^]): Color: Matt white (MW) / Dark grey(DG)

Even a simple divider can provide you the nice experience for organization.



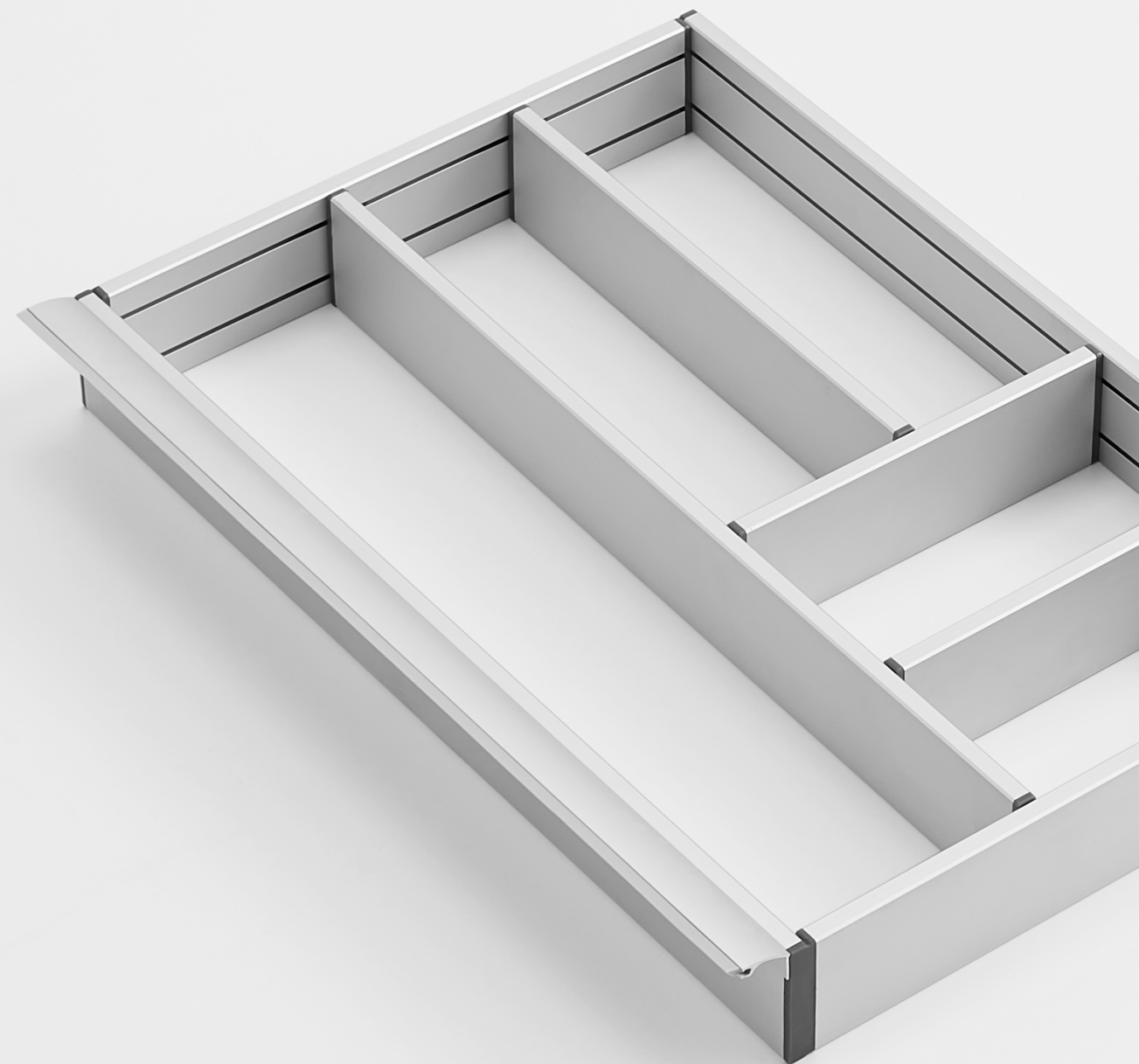
简洁大方，方寸之间均物尽其用，彰显空间大师的独特魅力。采用优质铝材，质感细腻，保证消费者的美好使用体验。



DETAILS SATISFY YOU



DIFFERENT
OPTION FOR DRAWER SIDE.



ALUMINIUM

多种选择配置方案，可以根据使用的喜好来自由组合收纳。分隔件灵活取出设计，方便清洗，让收纳更便捷更实用。

ALUMINIUM DIVIDER SYSTEM 铝合金内分隔系统



900mm 铝合金内分隔系统



600mm 铝合金内分隔系统

→ FEATURES / 产品特点

选用优质铝合金材料，经久耐用
 抽屉内部空间分配科学合理
 抽屉功能更加完善
 造型时尚，美观，极具现代感
 规格齐全，自由搭配
 颜色：银灰色 / 白色
 适用于易力抽

High quality aluminium material
 Scientifically and reasonably dividing
 the internal space
 Perfect function of drawer
 Fashionable, beautiful and modern
 Full range of size for freely assembling
 Suitable for Pobox, Drawerbox

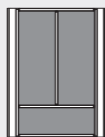



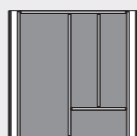
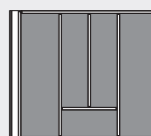
银灰色 白色

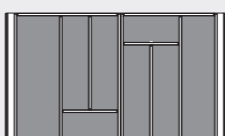
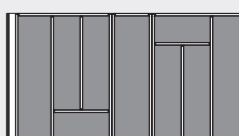
→ APPLY DRAWER / 适用抽屉

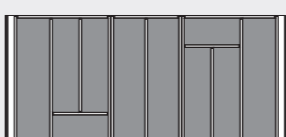



易力抽

400mm CABINET WIDTHS 柜体宽			450mm CABINET WIDTHS 柜体宽		
					
标称长度	订货号	规格	标称长度	订货号	规格
450mm	DA3104C.0405.(^)	423x268	450mm	DA3104C.0455.(^)	423x318
500mm	DA3104C.0406.(^)	473x268	500mm	DA3104C.0456.(^)	473x318

500mm CABINET WIDTHS 柜体宽			600mm CABINET WIDTHS 柜体宽		
					
标称长度	订货号	规格	标称长度	订货号	规格
450mm	DA3104C.0505.(^)	423x368	450mm	DA3104C.0605.(^)	423x468
500mm	DA3104C.0506.(^)	473x368	500mm	DA3104C.0606.(^)	473x468

800mm CABINET WIDTHS 柜体宽			900mm CABINET WIDTHS 柜体宽		
					
标称长度	订货号	规格	标称长度	订货号	规格
450mm	DA3104C.0805.(^)	423x668	450mm	DA3104C.0905.(^)	423x768
500mm	DA3104C.0806.(^)	473x668	500mm	DA3104C.0906.(^)	473x768

1000mm CABINET WIDTHS 柜体宽			1200mm CABINET WIDTHS 柜体宽		
					
标称长度	订货号	规格	标称长度	订货号	规格
450mm	DA3104C.1005.(^)	423x868	450mm	DA3104C.1205.(^)	423x1068
500mm	DA3104C.1006.(^)	473x868	500mm	DA3104C.1206.(^)	473x1068

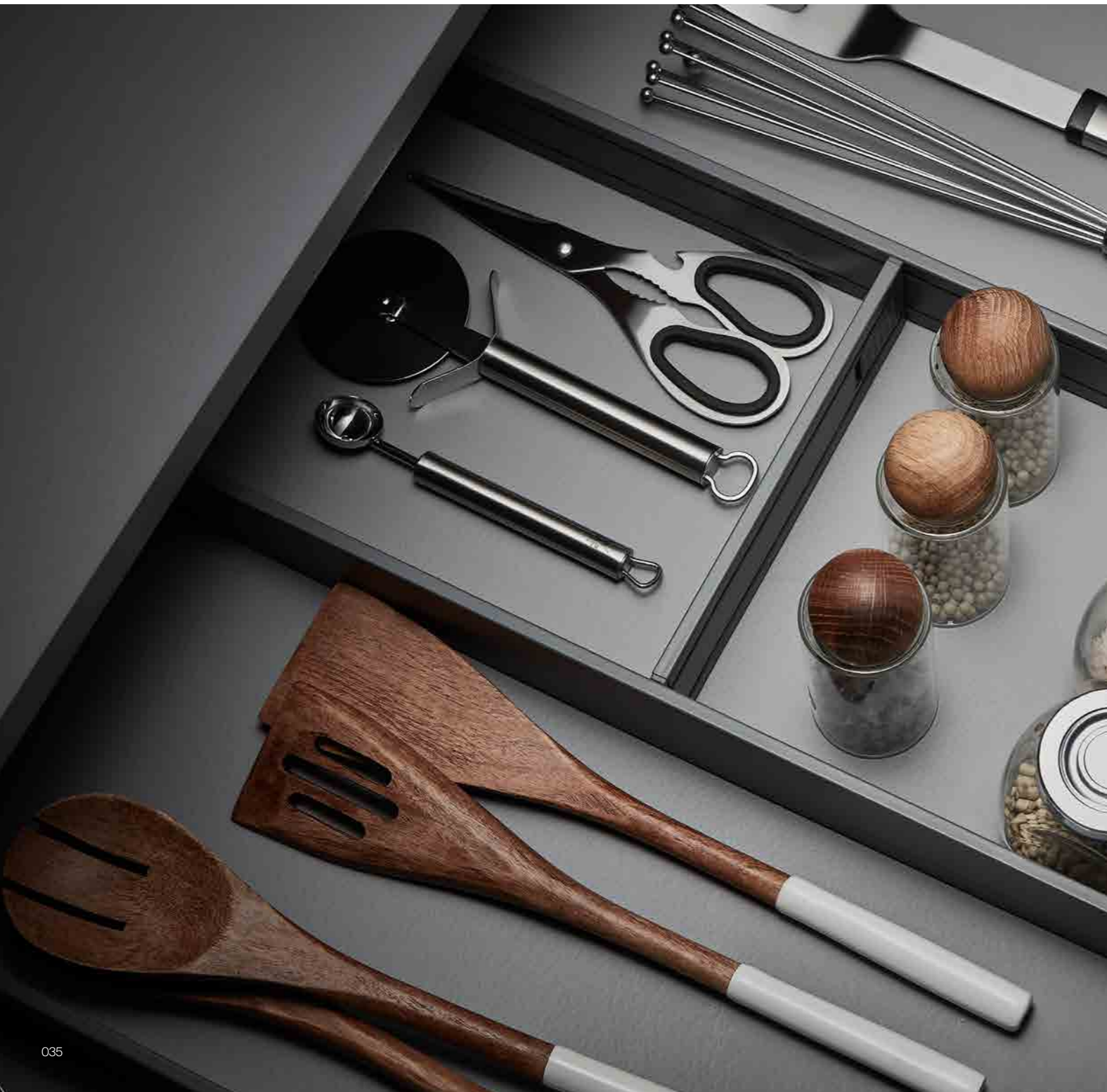
备注 :(^): 颜色 : 白色 (WT)/ 银灰色 (GR) Note :(^): Color: White (WT) / Grey(GR)



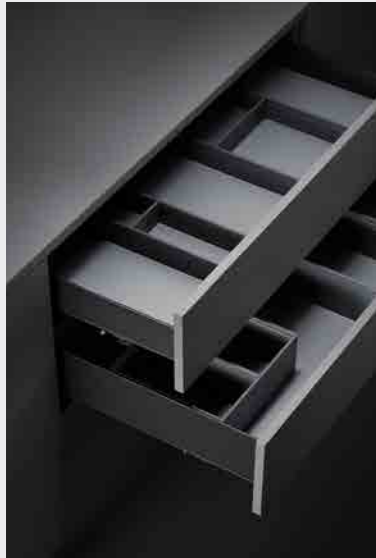
STEEL

简约的设计是作为收纳设计的重点，在确保产品收纳功能的同时，设计师结合中国厨房的特点融入了众多简约而适用的设计，让收纳和使用相得益彰。

A separate divider also a very good option for your own drawer.



STEEL DIVIDER SYSTEM 铁内分隔系统



铁内分隔系统



铁内分隔系统 (APPLY DRAWER / 适用抽屉 H80/H120)

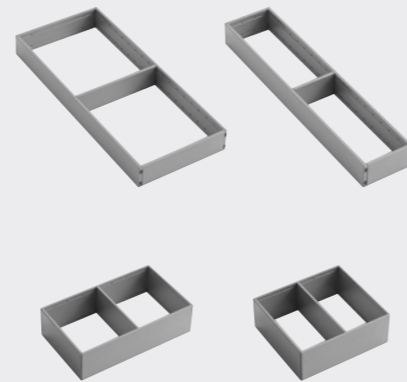


铁内分隔系统 (APPLY DRAWER / 适用抽屉 H120/H170)

→ FEATURES / 产品特点

选用高强度钢板, 经久耐用
 分隔卡级式可调, 抽屉内部空间分配科学合理
 抽屉功能更加完善
 造型时尚、美观, 极具现代感
 50mm,100mm 两种高度, 自由搭配
 颜色: 碳灰色 / 白色
 适用于 LED 魔力抽、魔力抽、魅力抽、酷力抽

Inner adjustable divider, flexible for your tableware
 Perfect function of drawer
 Fashionable, beautiful and modern
 Freely assembling with two heights: 50mm & 100mm
 Suitable for LED Magic box, Magic box, Regic box, Cobox
 Glass Magic box, Magic box, Regic box, Cobox



→ APPLY DRAWER / 适用抽屉 (H80/H120)



LED 魔力抽

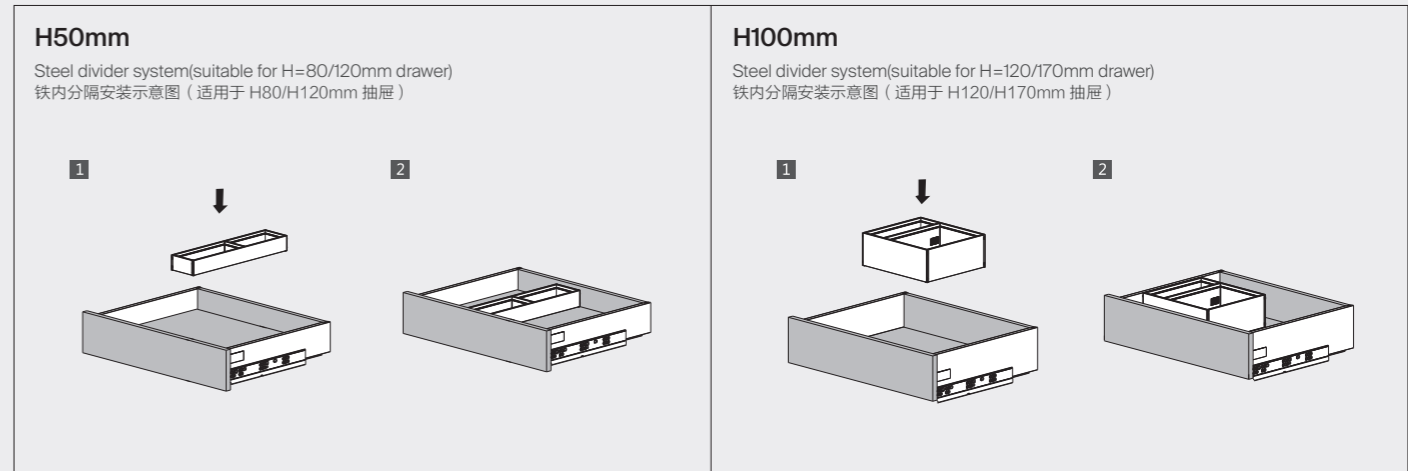
魔力抽

魅力抽

酷力抽

H50mm STEEL DIVIDER SYSTEM 铁内分隔			H100mm STEEL DIVIDER SYSTEM 铁内分隔		
导轨标称长度	内分隔规格	订货号	导轨标称长度	内分隔规格	订货号
270mm	244x100/244x200	DA3401E1.270.(*) / DA3401E2.270.(*)	270mm	218x370/242x270	DA3402E1.(*)/DA3402E2.(*)
300mm	274x100/274x200	DA3401E1.300.(*) / DA3401E2.300.(*)	300mm	218x370/242x270	DA3402E1.(*)/DA3402E2.(*)
350mm	324x100/324x200	DA3401E1.350.(*) / DA3401E2.350.(*)	350mm	218x370/242x270	DA3402E1.(*)/DA3402E2.(*)
400mm	374x100/374x200	DA3401E1.400.(*) / DA3401E2.400.(*)	400mm	218x370/242x270	DA3402E1.(*)/DA3402E2.(*)
450mm	424x100/424x200	DA3401E1.450.(*) / DA3401E2.450.(*)	450mm	218x370/242x270	DA3402E1.(*)/DA3402E2.(*)
500mm	474x100/474x200	DA3401E1.500.(*) / DA3401E2.500.(*)	500mm	218x370/242x270	DA3402E1.(*)/DA3402E2.(*)
550mm	524x100/524x200	DA3401E1.550.(*) / DA3401E2.550.(*)	550mm	218x370/242x270	DA3402E1.(*)/DA3402E2.(*)
	242x270	DA3401E3.(*)			

备注 :(*) 颜色 : 白色 (MW) / 碳灰色 (DG) Note :(*) Matt white (MW) / Dark grey (DG)



→ APPLY DRAWER / 适用抽屉 (H120/H170)



LED 魔力抽

魔力抽

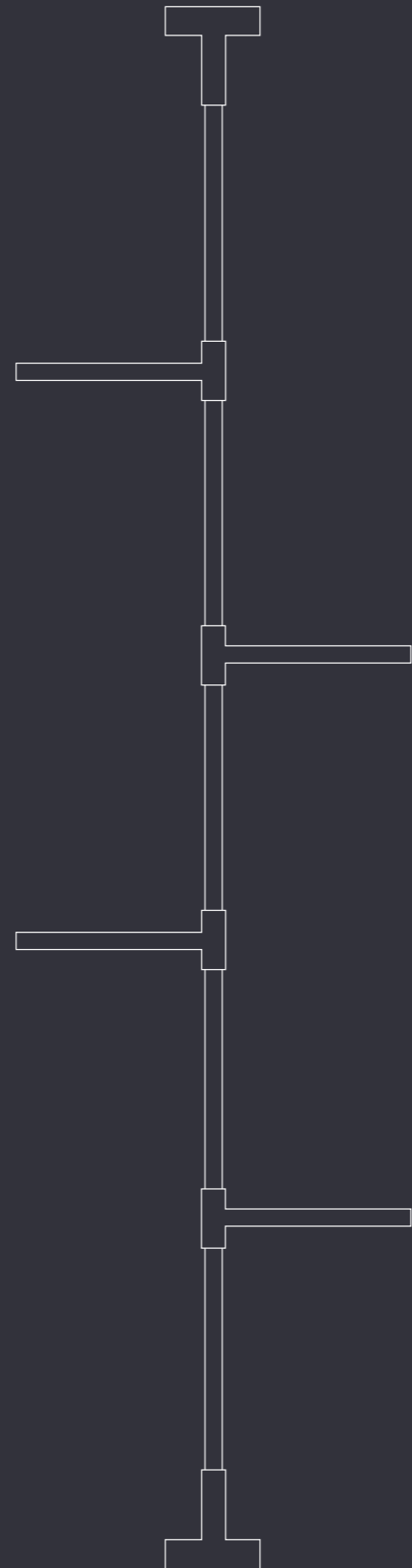
魅力抽

酷力抽

SQUARE BAR

崇尚高品质极简收纳，让生活更加舒心愉悦。方管内分隔系统在设计与美学中找到了更惬意的融合。

For high panel drawer side, a divider bar is very necessary to keep the bottles in it place.



Short and tall crosspieces for tall and short bottles, making your drawers lively.



SQUARE BAR DIVIDER SYSTEM 方管内分隔系统



方管卡臂分隔



方管挡板分隔

→ FEATURES / 产品特点

选用优质钢板, 环保塑料, 经久耐用
间距任意调节, 抽屉内部空间分配科学合理
抽屉功能更加完善
造型时尚、美观, 极具现代感
分隔臂, 分隔挡板两种选择
颜色: 碳灰色 / 白色
适用于魔力抽、魅力抽

High quality steel material,eco-friendly plastic material
Space adjustment ,scientifically and reasonably dividing the internal space
Perfect function of drawer
Fashionable,beautiful and modern
Suitable for Magic box,Regic box



碳灰色 白色

→ APPLY DRAWER / 适用抽屉



魔力抽 / 魅力抽



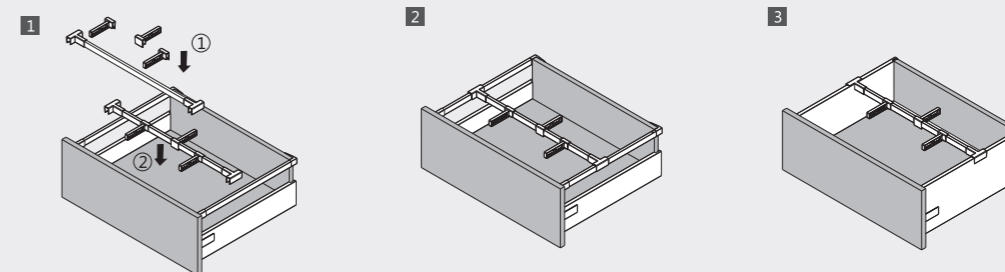
魔力抽 / 魅力抽



LONG SQUARE BAR DIVIDER 方管连接杆	SQUARE TUBE CONNECTION 方管连接卡	SHORT CROSSPIECE 分隔臂	TALL CROSSPIECE 分隔挡板	
柜体宽度	订货号	方管连接卡臂	分隔臂	分隔挡板
400mm	DA3101E1.040.([^])	DA3101E3.([^])	DA3101E2.([^])	DA3101E4.([^])
450mm	DA3101E1.045.([^])			
500mm	DA3101E1.050.([^])			
600mm	DA3101E1.060.([^])			
900mm	DA3101E1.090.([^])			
1000mm	DA3101E1.100.([^])			
1200mm	DA3101E1.120.([^])			

备注 :([^]): 颜色 : 白色 (MW) / 碳灰色 (DG) Note :([^]): Matt white (MW) / Dark grey(DG)

方管卡臂分隔安装示意图 (适用于带加高杆和标准骑马抽外邦)



方管挡板分隔安装示意图 (适用于带加高杆和标准骑马抽外邦)

